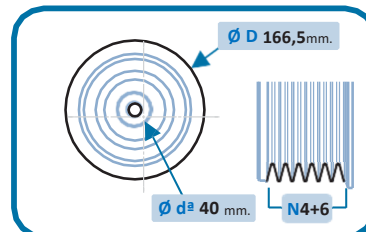


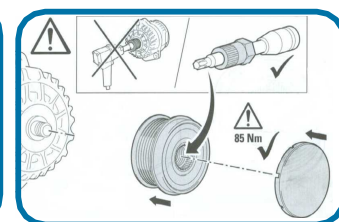
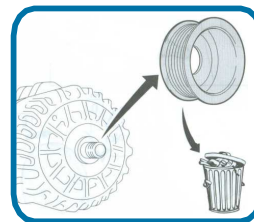


TECHNICAL INFORMATION / INFORMACIÓN TÉCNICA INFORMATIONS TECHNIQUES / INFORMAÇÃO TÉCNICA

17-1081KIT B



**ANTI-VIBRATION KIT composed of crankshaft pulley
Ref. 17-1081 and alternator pulley Ref. 30-1041B**
OEM → BMW: 11237788611 / 11237793593 /
11238511371



Assembly instruction:

This Crankshaft Pulley has been designed to work with the Overrunning Alternator Pulley Ref. 30-1041B.

Failure to assemble the complete KIT will invalidate the warranty of your IJS GROUP product.

Tighten the torque to 130 NM and tighten the screw 180°.

When changing the pulley, respect the direction, change the belts and adjust them to the correct tension.

ES

Instrucciones de montaje:

Esta polea del cigüeñal ha sido diseñada para funcionar con la polea libre del alternador Ref. 30-1041B.

No montar el KIT completo invalidará la garantía de su producto IJS GROUP.

Apriete el par a 130 NM y apriete el tornillo 180°.

Al cambiar la polea respetar la dirección, cambiar las correas y ajustarlas a la tensión correcta.

FR

Instructions de montage:

Cette poulie de vilebrequin a été conçue pour fonctionner avec la poulie d'alternateur à roue libre Réf. 30-1041B.

Le fait de ne pas assembler le KIT complet annulera la garantie de votre produit IJS GROUP.

Serrez le couple à 130 NM et serrez la vis à 180°.

Lors du changement de poulie, respectez le sens, changez les courroies et réglez-les à la bonne tension.

PT

Instrução de montagem:

Esta polia do virabrequim foi projetada para funcionar com a polia do alternador de ultrapassagem ref. 30-1041B.

A não montagem do KIT completo invalidará a garantia do seu produto do GRUPO IJS.

Aperte o torque a 130 NM e aperte o parafuso 180°.

Ao trocar a polia, respeite a direção, troque as correias e ajuste-as na tensão correta.



Vehicle linkage and differences between 17-1081KIT A & 17-1081KIT B

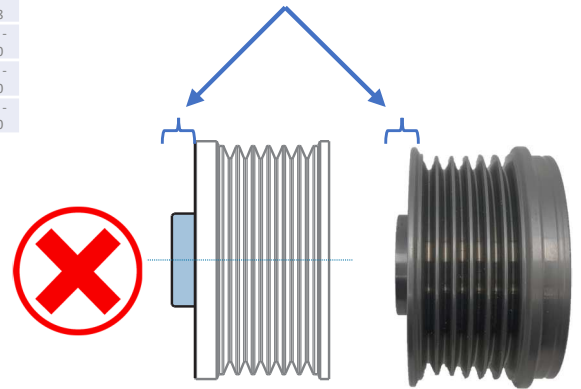
Aplicación vehículoy diferencias entre 17-1081KIT A y 17-1081KIT B

Affectation véhicule et différences entre 17-1081KIT A et 17-1081KIT B

Vinculação do veículo e diferenças entre 17-1081KIT A e 17-1081KIT B

BMW					BMW				
Serie3 (E90)	325 d	197	M57 D30 (306D3)	09.2006-02.2010	SerieX5 (E70)	3.0 d	235	M57 D30 (306D3)	12.2006-09.2008
Serie3 (E90)	330 d	231	M57 D30 (306D3)	09.2005-09.2008	SerieX5 (E70)	3.0 sd	286	M57 D30 (306D5)	10.2007-09.2008
Serie3 (E90)	330 xd	231	M57 D30 (306D3)	09.2005-08.2008	SerieX5 (E70)	xDrive 30 d	235	M57 D30 (306D3)	10.2008-03.2010
Serie3 Coupé (E92)	325 d	197	M57 D30 (306D3)	02.2007-02.2010	SerieX6 (E71, E72)	xDrive 30 d	235	M57 D30 (306D3)	04.2008-03.2010
Serie3 Coupé (E92)	330 d	231	M57 D30 (306D3)	03.2006-08.2008	SerieX6 (E71, E72)	xDrive 35 d	286	M57 D30 (306D5)	01.2008-03.2010
Serie3 Coupé (E92)	330 xd	231	M57 D30 (306D3)	03.2006-08.2008					
Serie3 Coupé (E92)	335 d	286	M57 D30 (306D5)	03.2006-03.2013					
Serie3 Descapotable (E93)	325 d	197	M57 D30 (306D3)	03.2007-12.2010					
Serie3 Descapotable (E93)	330 d	231	M57 D30 (306D3)	03.2007-12.2013					
Serie3 Touring (E91)	325 d	197	M57 D30 (306D3)	09.2006-06.2012					
Serie3 Touring (E91)	330 d	231	M57 D30 (306D3)	12.2004-08.2008					
Serie3 Touring (E91)	330 xd	231	M57 D30 (306D3)	09.2005-06.2012					

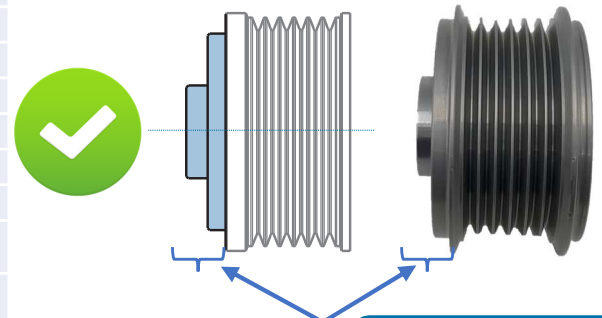
17-1081KIT A



Ref. 30-1041A

BMW					BMW				
Serie3 (E46)	330 d	204	M57 D30 (306D2)	03.2003-02.2005	Serie5 (E60)	530 xd	235	M57 D30 (306D3)	03.2007-08.2007
Serie3 (E46)	330 xd	204	M57 D30 (306D2)	09.2002-12.2004	Serie5 (E60)	530 xd	231	M57 D30 (306D3)	02.2005-02.2007
Serie3 (E46)	330 xd	184	M57 D30 (306D1)	01.2000-02.2003	Serie5 (E60)	535 d	286	M57 D30 (306D5)	01.2007-03.2010
Serie3 (E90)	335 d	286	M57 D30 (306D5)	09.2006-12.2011	Serie5 (E60)	535 d	272	M57 D30 (306D4)	09.2004-03.2010
Serie3 Coupé (E46)	330 Cd	204	M57 D30 (306D2)	03.2003-07.2006	Serie5 Touring (E61)	525 d	197	M57 D30 (306D3)	03.2007-05.2010
Serie3 Descapotable (E46)	330 Cd	204	M57 D30 (306D2)	08.2005-12.2007	Serie5 Touring (E61)	525 d	177	M57 D25 (256D2)	03.2004-03.2007
Serie3 Touring (E46)	330 d	204	M57 D30 (306D2)	03.2003-02.2005	Serie5 Touring (E61)	525 d	163	M57 D25 (256D2)	03.2004-03.2007
Serie3 Touring (E91)	335 d	286	M57 D30 (306D5)	09.2006-06.2012	Serie5 Touring (E61)	530 d	235	M57 D30 (306D3)	02.2007-05.2010
Serie5 (E60)	525 d	197	M57 D30 (306D3)	01.2007-03.2010	Serie5 Touring (E61)	530 d	231	M57 D30 (306D3)	02.2005-02.2007
Serie5 (E60)	525 d	177	M57 D25 (256D2)	06.2004-03.2010	Serie5 Touring (E61)	530 d	218	M57 D30 (306D2)	03.2004-09.2005
Serie5 (E60)	525 d	163	M57 D25 (256D2)	06.2004-12.2004	Serie5 Touring (E61)	530 d xDrive	235	M57 D30 (306D3)	09.2007-05.2010
Serie5 (E60)	525 d xDrive	197	M57 D30 (306D3)	03.2010-09.2007	Serie5 Touring (E61)	530 xd	235	M57 D30 (306D3)	03.2007-08.2007
Serie5 (E60)	525 xd	197	M57 D30 (306D3)	11.2006-08.2007	Serie5 Touring (E61)	530 xd	231	M57 D30 (306D3)	02.2005-02.2007
Serie5 (E60)	530 d	235	M57 D30 (306D3)	02.2007-12.2009	Serie5 Touring (E61)	535 d	286	M57 D30 (306D5)	01.2007-12.2010
Serie5 (E60)	530 d	231	M57 D30 (306D3)	09.2005-03.2007	Serie5 Touring (E61)	535 d	272	M57 D30 (306D4)	09.2004-12.2010
Serie5 (E60)	530 d	218	M57 D30 (306D2)	09.2002-09.2005	Serie6 (E63)	635 d	286	M57 D30 (306D5)	07.2007-07.2010
Serie5 (E60)	530 d	211	M57 D30 (306D2)	09.2002-12.2009	Serie6 Descapotable (E64)	635 d	286	M57 D30 (306D5)	07.2007-07.2010
Serie5 (E60)	530 d xDrive	235	M57 D30 (306D3)	09.2007-12.2009	Serie7 (E65, E66, E67)	730 Ld	231	M57 D30 (306D3)	07.2005-08.2008

Ref. 30-1041B



17-1081KIT B

